

INDUSTRIAL BROWNHOIST 25 TON LOCOMOTIVE CRANE

The following information was taken from the
CAR BUILDERS' CYCLOPEDIA 1931

Industrial Brownhoist Locomotive Cranes

Nearly fifty years ago when the first locomotive cranes were built, Industrial Brownhoist began the task of developing a complete line of locomotive and wrecking cranes that would answer every need of the railroads. That this has been accomplished is indicated by the facts that today leading railroads throughout the world are using these cranes and Industrial Brownhoist builds the most complete line ever produced.

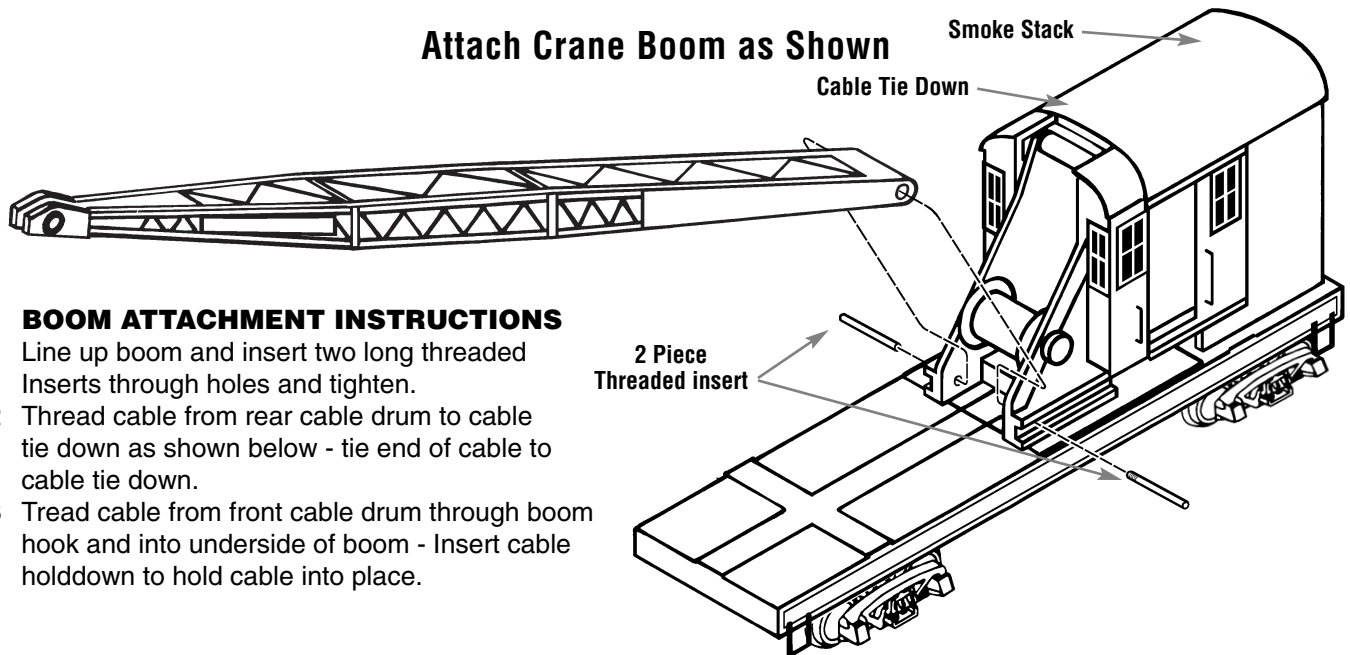
Included among these products are locomotive cranes ranging in capacity from 7½ to 60 tons, a complete line

of pile drivers, crawler cranes and shovels, erection cranes, clamshell buckets, pillar, jib, and overhead cranes. A choice of steam, gas, electric or diesel power is available on the cranes and shovels.

Materials and workmanship on Industrial Brownhoist equipment are maintained to the highest standards. Indicative of this fact are the many 20 and 30 year old cranes that are still at work and giving dependable service.

Industrial Brownhoist Locomotive Cranes are convenient to handle and the operator may work all day without undue fatigue. The operator is so located in every case that he can easily reach all operating levers and brakes and has full view of the material being handled at all times.

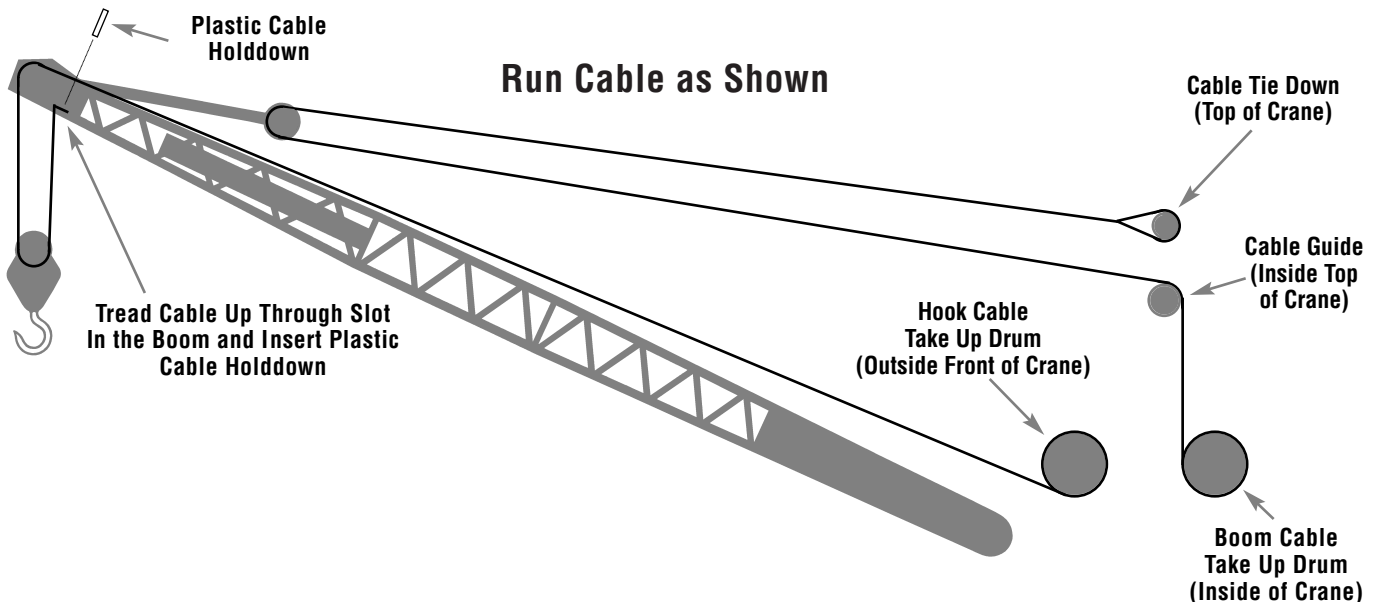
Attach Crane Boom as Shown



BOOM ATTACHMENT INSTRUCTIONS

- 1 Line up boom and insert two long threaded Inserts through holes and tighten.
- 2 Thread cable from rear cable drum to cable tie down as shown below - tie end of cable to cable tie down.
- 3 Tread cable from front cable drum through boom hook and into underside of boom - Insert cable holddown to hold cable into place.

Run Cable as Shown



OPTIONAL SMOKE UNIT INSTALLATION INSTRUCTIONS

USA Trains has designed this unit so installation of a working smoke stack is simple. Pull out the non-working smoke stack and insert a seuthe #7 smoke unit. Run wires to power the smoke unite through the crane body and out the bottom of the flat car through the pivot pin of the crane.

HELPFUL HINTS

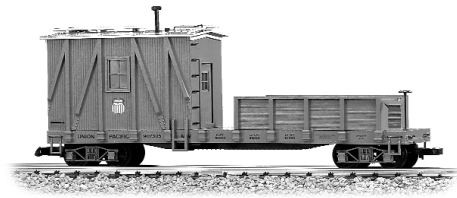
- Adjust crane boom height so it fits through any tunnels, trestles or low clearances on your layout.
- Looks great with USA Trains Matching Crane Tender Car.

25 TON CRANE AND MATCHING CRANE TENDER



OPERATING 25-TON CRANE

- R1860 Maintenance of Way - Gray
- R1861 Pennsylvania - Black
- R1862 D&RGW - Gray
- R1864 Union Pacific - Green
- R1865 Santa Fe - Silver
- R1866 New York Central - Gray
- R1867 Colorado & Southern - Brown
- R1868 White Pass - Blue
- R1869 Great Northern - Dark Green



CRANE TENDER FOR 25-TON CRANE

- R1870 Maintenance of Way- Gray
- R1871 Pennsylvania - Black
- R1872 D&RGW - Gray
- R1874 Union Pacific - Green
- R1875 Santa Fe - Silver
- R1876 New York Central - Black
- R1877 Colorado & Southern - Brown
- R1878 White Pass - Blue
- R1879 Great Northern - Dark Green

ADDITIONAL PRODUCTS TO COMPLETE YOUR WORK TRAIN SERIES



- DERRICK CAR WITH BRASS BOOM
- RAIL & TIE CAR
- WORK FLAT CAR WITH LOAD
- BUNK CAR
- KITCHEN/OUTFIT CAR
- ENGINEERING CAR
- POWER & LIGHT CAR WITH GENERATOR SOUNDS & FLICKERING LIGHT
- WHEEL CAR
- TRUCK CAR